

Highlights:

- Included shock bumpers
- Aluminum extruded construction with cold rolled steel sides
- Flexible structure for system integration & connectivity
- Wide variation of compatible modules available
- Pre-threaded mounting profile for easy assembly
- Structured and scratch resistant black powder coating
- Removable cable gland for D-size connectors at choice
- Stores 8 units of CASY modules
- Long cable gland provided

The CASY048 is a modular stage box which can be fitted with 8 modules from the CASY range. The flexible and modular structure ensures a maximum versatility, allowing to adapt the system to each project's specific requirements. Possibilities are ranging from audio, video and data interconnection to power distribution, control panels, power supplies and many more.

The aluminum construction features pre-threaded hole inserts allowing module installation with a maximum of 8 units with a built-in depth up to 60 mm. It is fitted with a cable gland with strain relief accepting diameters in a range of 9 to 16 mm, which can be removed for assembly of a D-sized connector type (e.g. PowerCON). The sides are constructed out of cold-rolled steel protected with rubber shock bumpers perfect for all use and abuse. Modules can be fixed inside the unit using the included M3 screws. The overall construction is finished in a black (RAL9004) structured and scratch-resistant powder coating.

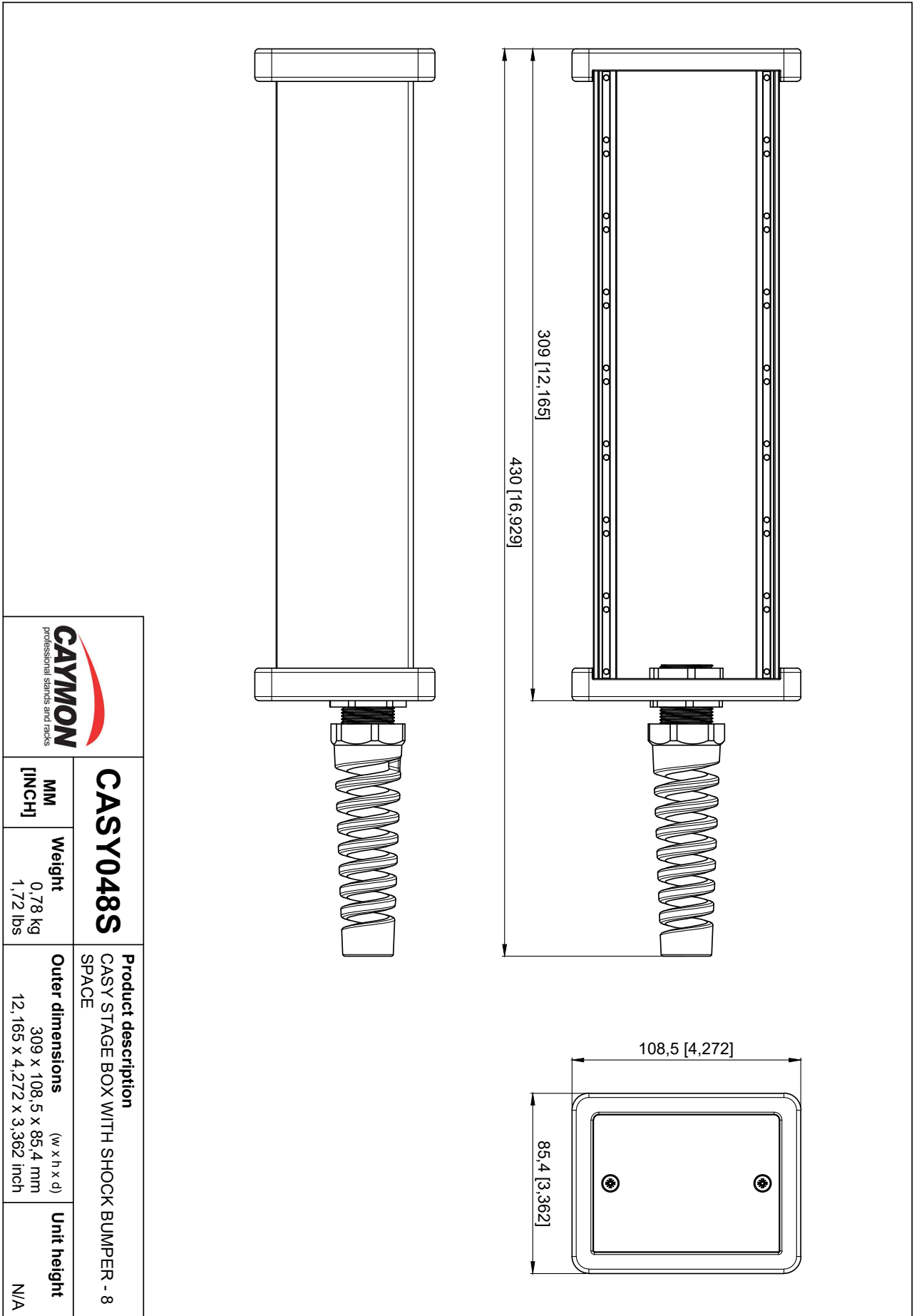


Product Features:

| Module | Units | 8 x front side |
|-------------------|-------|---|
| Dimensions | | 309 x 108.5 x 85.4 mm (W x H x D) |
| Weight | | 0.784 kg |
| Construction | | Alu extrusion with steel side panels |
| | | Protected with rubber shock bumpers perfect for all use and abuse |
| Connection | | 9 ~ 16 mm cable gland (standard) |
| | | 1 x D-size hole |
| Finish | | Structured powder coating |
| Colours | | Black (RAL9004) |
| Max. usable depth | | 60 mm |

Variants:

- CASY048S/B - Black version



CASY048S

Product description
CASY STAGE BOX WITH SHOCK BUMPER - 8 SPACE

| MM [INCH] | Weight | Outer dimensions (w x h x d) | Unit height |
|--------------------|---|------------------------------|-------------|
| 0,78 kg [1,72 lbs] | 309 x 108,5 x 85,4 mm [12,165 x 4,272 x 3,362 inch] | N/A | |